



**Better
Kitchens**

True Handleless Fitting Guide

www.betterkitchens.co.uk

IMPORTANT PLEASE NOTE:

The information contained in this literature is for illustrative purposes only to assist in choosing your desired kitchen. While we endeavour to keep the information up to date and correct we do not make any representations or warranties of any kind, express or implied, about the completeness, accuracy, reliability and suitability of the doors and products that appear in this literature.

We aim to showcase as many different items as possible and therefore some products have been installed and photographed purely to show as many of our product features as possible and they should not be taken as an example of how they are intended to be installed in real kitchen installations.

It is therefore the responsibility of the installer to check the corresponding manufacturer's installation information and the manufacturer's technical information to ensure this is up to date and to ensure that the products can be fitted in a way they are displayed and the products are suitable for your requirements.

We specifically exclude any liability in this regard unless the products are fitted in accordance with the specifications we supply and the manufacturer's installation recommendations are used in a way recommended by the manufacturer and in accordance with the manufacturer's technical information provided.

The information shown in this literature is accurate as at the date of print/release shown on such information but it may be subject to changes after such date. Please therefore ensure that you are viewing the most current product information available and check with us if you have any doubt about the suitability of the product or accuracy of the information shown.

We are proud that all our products that we sell are covered by a statutory warranty but this does not stop all our products naturally ageing overtime. As a result of this natural ageing process we are therefore unable to provide an identical colour finish to the existing products you have purchased from us with any products that we supply you from the same product line. In such event our liability will be limited to the purchase price paid for the product you are seeking to replace.

Due to the limitations on photographic reproduction, colours may differ slightly from the actual products shown. Please note that board matches listed with the doors are a suggestion only and better board matches may be available on the market. It is up to the individual to decide on its suitability.

Please Note: The information shown in this literature is accurate as at the date of print/release shown on such information but it may be subject to changes after such date. Please therefore ensure that you are viewing the most current product available and check with us if you have any doubt about the suitability of the product or accuracy of the information shown.

PRODUCT RANGE OVERVIEW

Wall Unit

Handle recess built in to the unit



Top Profile

Used for doors and top drawers



Mid Profile

Used for mid and bottom drawers



Vertical Profile - Intermediate

Used between two tall units



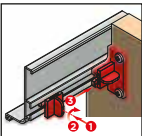
Spacer for Appliance

Used with Vertical Profile



External Corner Joint - Top

Used to create a seamless design, combine with external corner post



Quick Fix Brackets

Screw mounted



End Cap - Top

Used to finish top profiles



Vertical Profile - Lateral

Used with one tall unit



End Cap - Mid

Used to finish mid profiles



Internal Corner Joint - Top

Combine with internal corner post



External Corner Joint - Mid

Combine with external corner post



Internal Corner Joint - Mid

Combine with internal corner post

Mid Profile

Finish / Material

Aluminium

Dimensions

4100 x 73 x 26mm

Accessories available

Quick Fix Brackets

End Cap - Mid

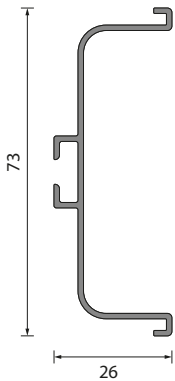
Internal Corner Joint - Mid

External Corner Joint - Mid

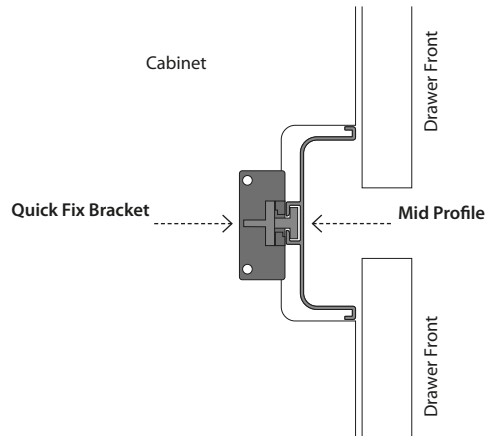


- Used for mid and bottom drawers.
- Can be cut to size using a circular chop saw.
- Secured to cabinets with Quick Fix Brackets.
- Profiles can be finished off with End Caps before fitting.
- Mid profiles can be linked at corners using Internal and External Corner Joints.

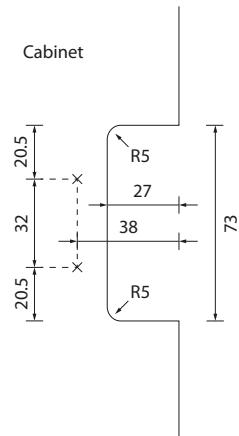
DIMENSIONS



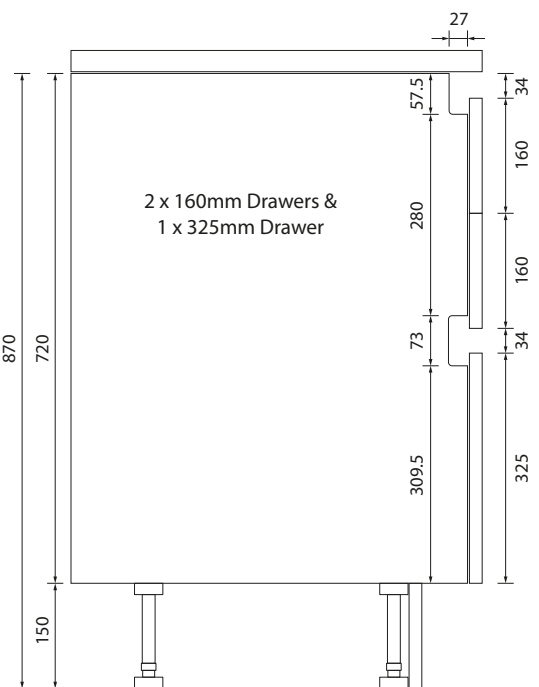
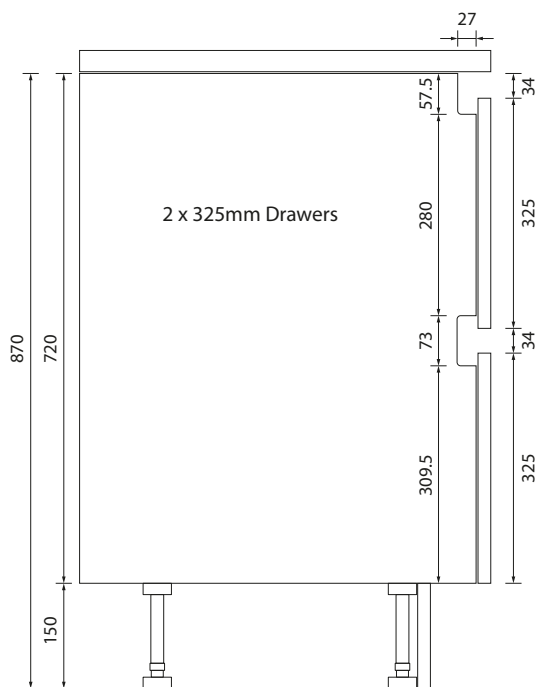
FITTED DETAIL



CABINET ROUTING



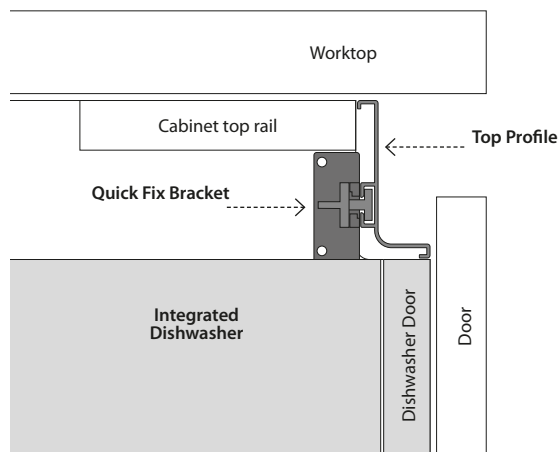
CABINET DIMENSIONS



Integrating under counter appliances

Integrated Dishwasher

- The Top Profile can be used to run above integrated appliance.
- It's recommended to set integrated dishwasher height at 815mm to fit under the rail.
- Metal brackets (supplied with dishwasher) should be fixed to the outer face of adjacent cabinets. Please note, an additional bracing baton may be required to the rear of the machine to help reduce movement.
- If drawers are situated next to an integrated appliance, we recommend using end caps to cover any gaps.



IMPORTANT INFORMATION

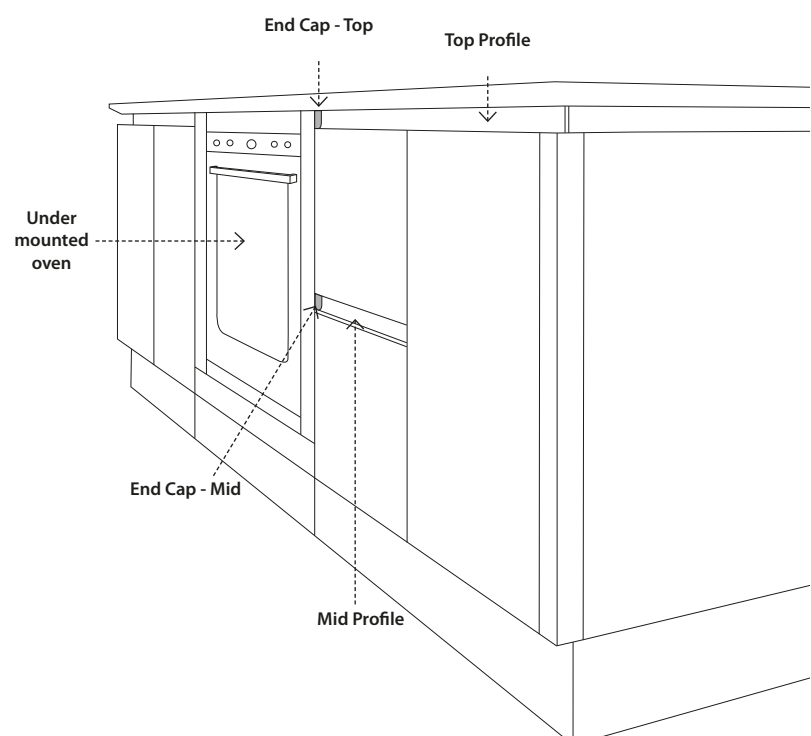
We recommend extending the cabinet legs to at minimum height of 155mm to ensure the integrated dishwasher will fit underneath the top rail.

It is also recommended to set integrated dishwasher height at 815mm.



Undermounted Oven

- The Top Profile can't be used in conjunction with an under mounted oven. Profiles must stop on each side of the appliance and can be finished with end caps.
- If using a freestanding cooker, end panels will need to be fitted either side of the appliance and the profile finished against the panel.



Vertical Profile - Intermediate

Finish / Material

Aluminium

Dimensions

2670 x 66.5 x 30mm

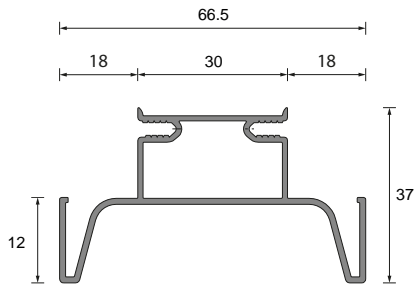
Accessories available

Spacer for Appliances

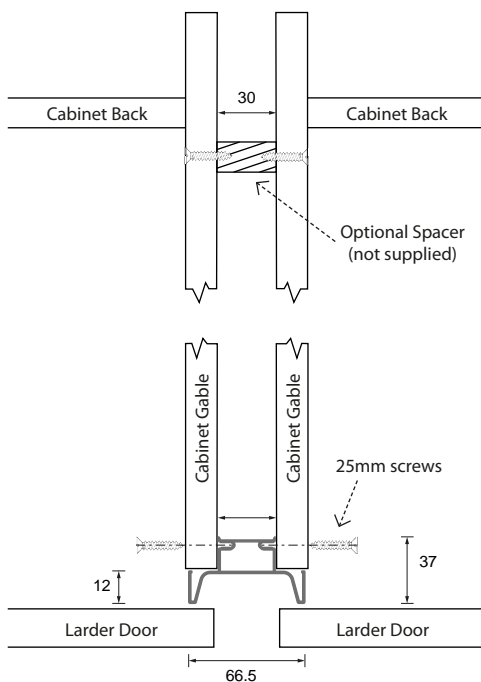


- Used on tall units when two opening doors meet.
- Secured to cabinet gables with 25mm cabinet screws.
- Can be cut to size using a circular chop saw.
- A 30mm spacer (not supplied) is required at the back between the two cabinets to maintain the void created by the profile trim.
- The front of the cabinet gables need to be set back by 12mm for the trim to overlap behind the doors.

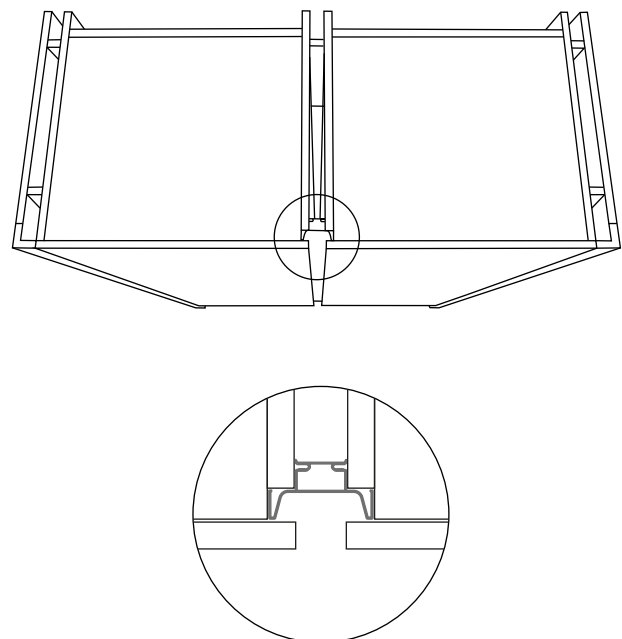
DIMENSIONS



FITTED DETAIL



APPLICATION BETWEEN TWO DOORS



Vertical Profile - Lateral

Finish / Material

Aluminium

Dimensions

2670 x 66.5 x 30mm

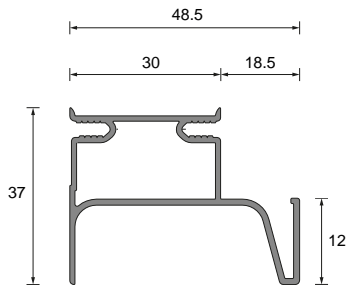
Accessories available

Spacer for Appliances

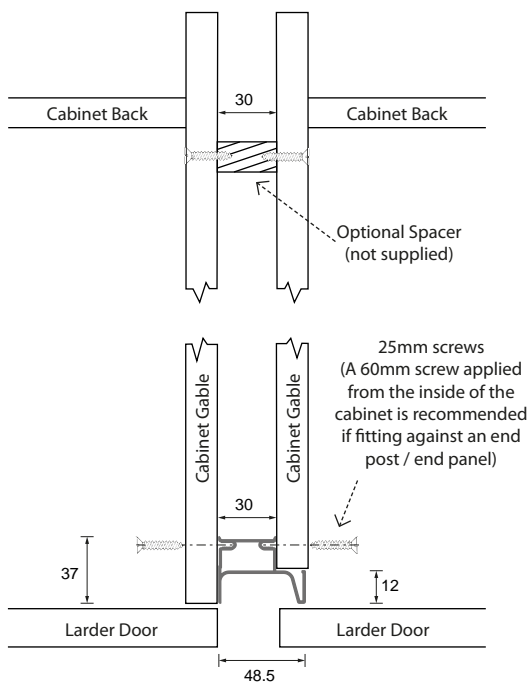


- Used on tall units when you have an opening door on one side only, can also be used to end a run where an end post or end panel is fitted.
- Secured to cabinet gable with 25mm cabinet screws.
- Can be cut to size using a circular chop saw.
- A 30mm spacer (not supplied) is required at the back between two cabinets or between a cabinet and end panel.
- The front of the cabinet gable needs to be set back by 12mm for the trim to overlap behind the door.
- To fix an end post or end panel to the profile you need to drill through the screw support channel and attach the end post from the inside of the cabinet with a 60mm screw.

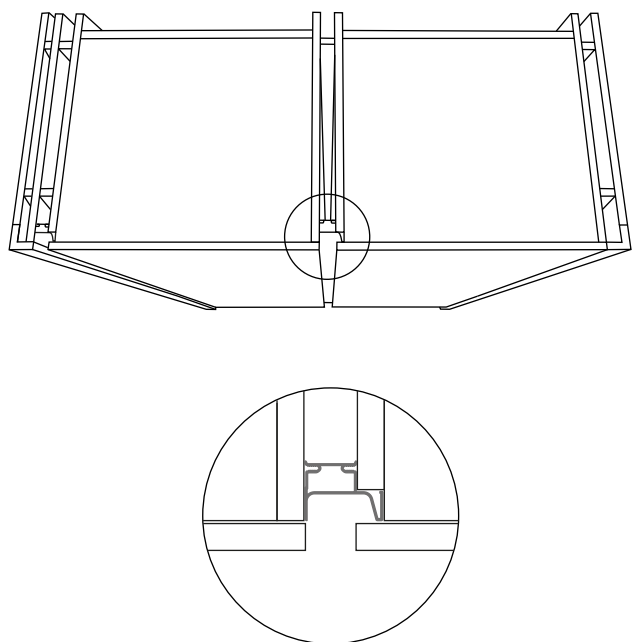
DIMENSIONS



FITTED DETAIL



APPLICATION BETWEEN TWO DOORS



Spacer for Appliance

Finish / Material

Aluminium

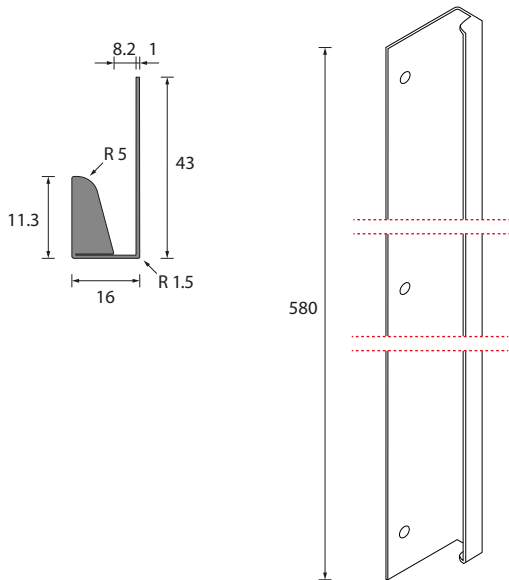
Dimensions

580 x 19.6 x 20.8mm

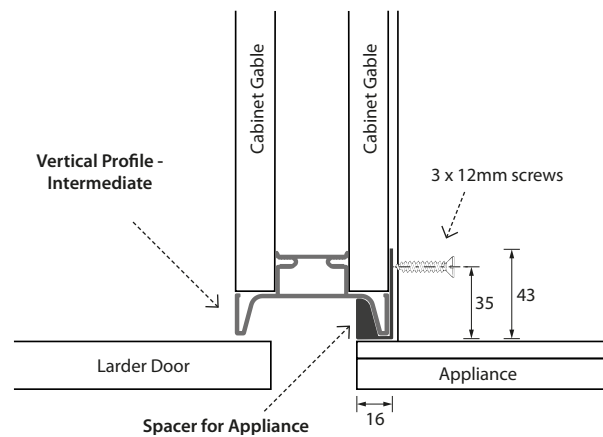


- Used to conceal the space behind the front of an appliance when used in an appliance housing unit combined with vertical Vero profiles.
- Fixed into the cabinet gable with 4 x 16mm screws.
- Works with both intermediate and lateral vertical profiles.
- The trim can be cut down to suit different sized appliances. If doing so, we recommend that a metal file is used to remove any sharp edges on the cut edge and that it is positioned out of sight.
- If the appliance requires a screw fixing into the cabinet, the spacer can be drilled into to accommodate the screws.
- When stacking appliances, we recommend leaving a 10mm gap to the top and bottom of both appliances.

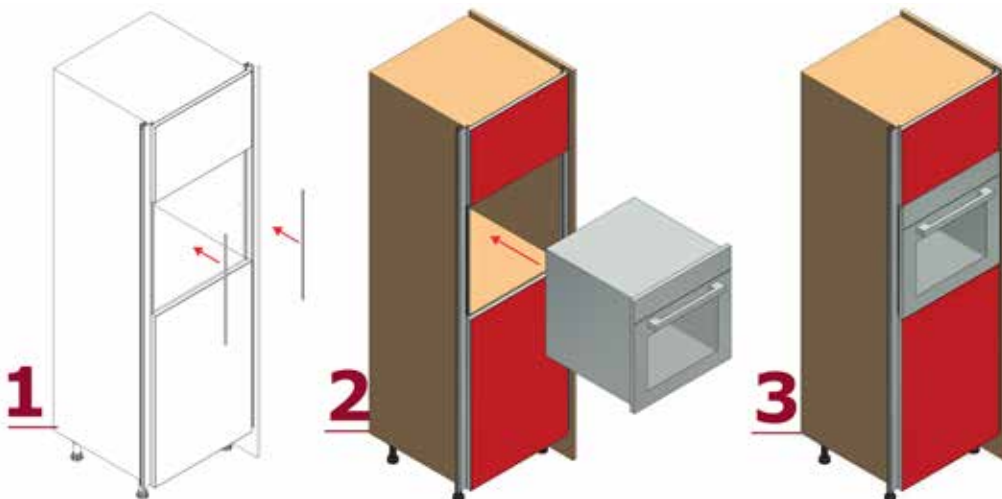
DIMENSIONS



FITTED DETAIL



APPLIANCE INSTALLATION



Quick Fix Brackets

Finish / Material

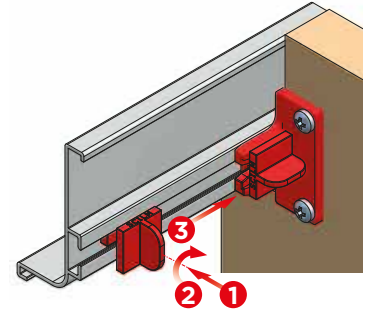
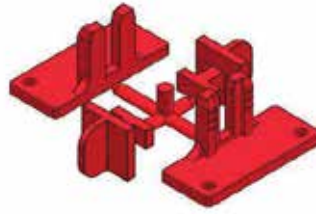
Plastic

Dimensions

N/A

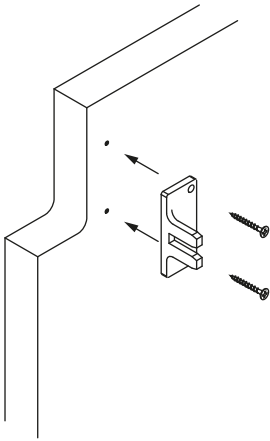
Accessories available

N/A

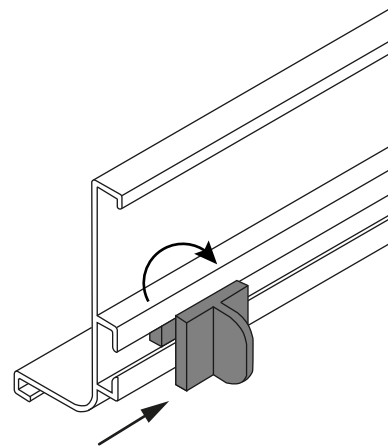


- Screw mounted brackets for top and mid profiles.
- Comes in pairs (min. order 25 pairs).

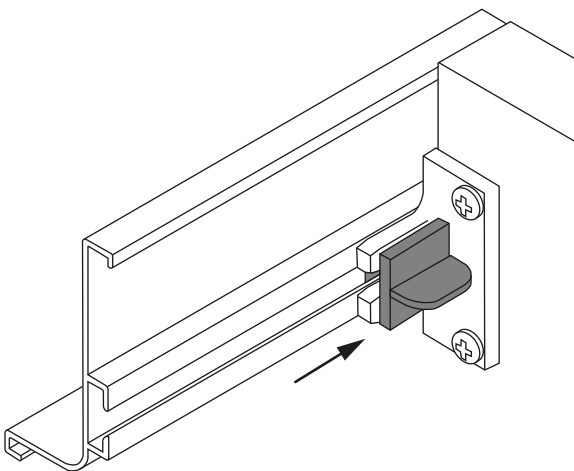
FITTING TOP AND MID PROFILES



Step 1.
Attach quick fix brackets to routed cabinet gables using screws.



Step 2.
Slide the connectors into the back of the profile and turn 90 degrees.

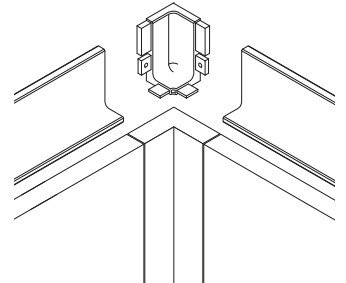
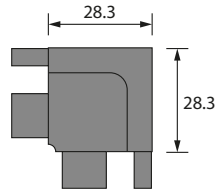


Step 3.
Apply profile to routed cabinet and push connectors into brackets to secure the profile to the cabinet.

Internal Corner Joint - Top

Finish / Material
Aluminium

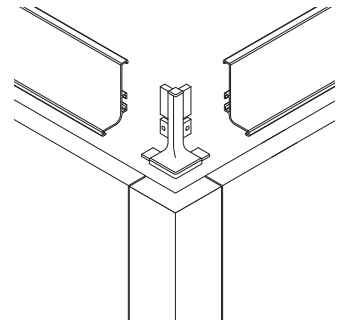
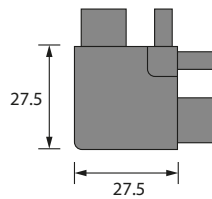
- Used to connect two top profiles at an internal corner, to be used together with an internal corner post.
- Secured to the top profile using two screws (supplied).



External Corner Joint - Top

Finish / Material
Aluminium

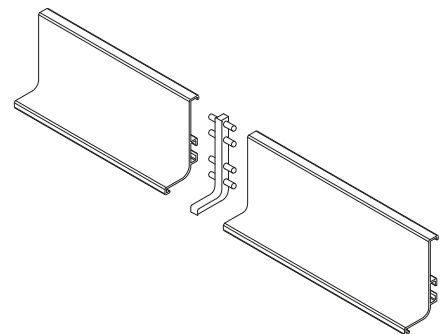
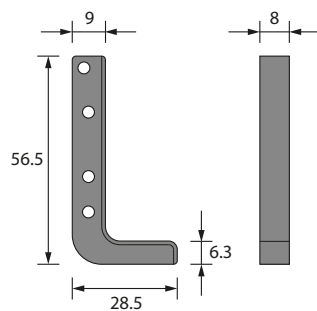
- Used to connect two top profiles running around an external corner or an island unit, to be used together with an external corner post.
- Secured to the top profile using two screws (supplied).



Top Joint

Finish / Material
Aluminium

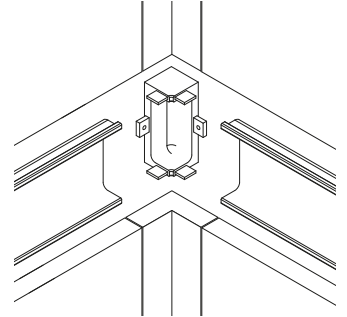
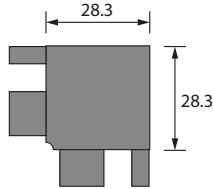
- Used to join together lengths of top profiles.
- Held in place with 4 grub screws (supplied).
(Grub screw secured with Allen key)
- When using top joints a 8mm spacing must be taken into account when cutting down the profiles that are being joined together.



Internal Corner Joint - Mid

Finish / Material
Aluminium

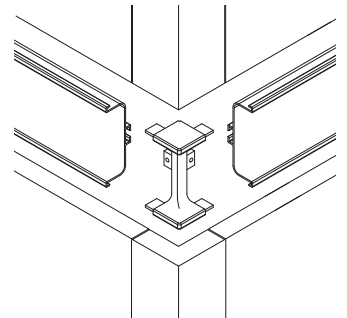
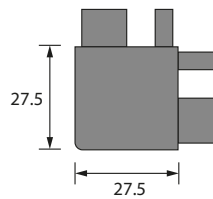
- Used to connect two mid profiles at an internal corner, to be used together with internal corner posts.
- Secured to the mid profile using two screws (supplied).



External Corner Joint - Mid

Finish / Material
Aluminium

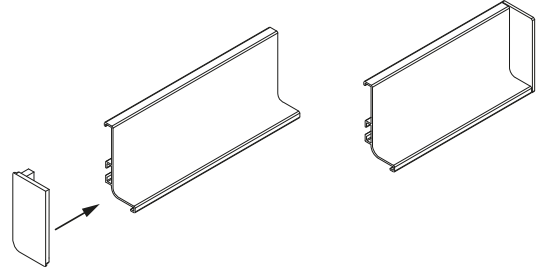
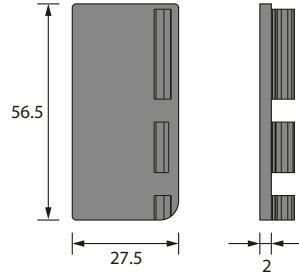
- Used to connect two mid profiles running around an external corner or an island unit, to be used together with external corner posts.
- Secured to the mid profile using two screws (supplied).



End Caps - Top

Finish / Material
Aluminium

- Used at the end of a top profile for example against a wall, end panel or next to appliances such as under mounted oven.
- Secured to the top profile using a grub screw (supplied).
(Grub screw secured with Allen key)
- When using end caps, a 2mm spacing must be taken into account when cutting down the trim.



End Caps - Mid

Finish / Material
Aluminium

- Used at the end of a mid profile for example against a wall, end panel or next to appliances such as under mounted oven.
- Secured to the mid profile using a grub screw (supplied).
(Grub screw secured with Allen key)
- When using end caps, a 2mm spacing must be taken into account when cutting down the trim.

